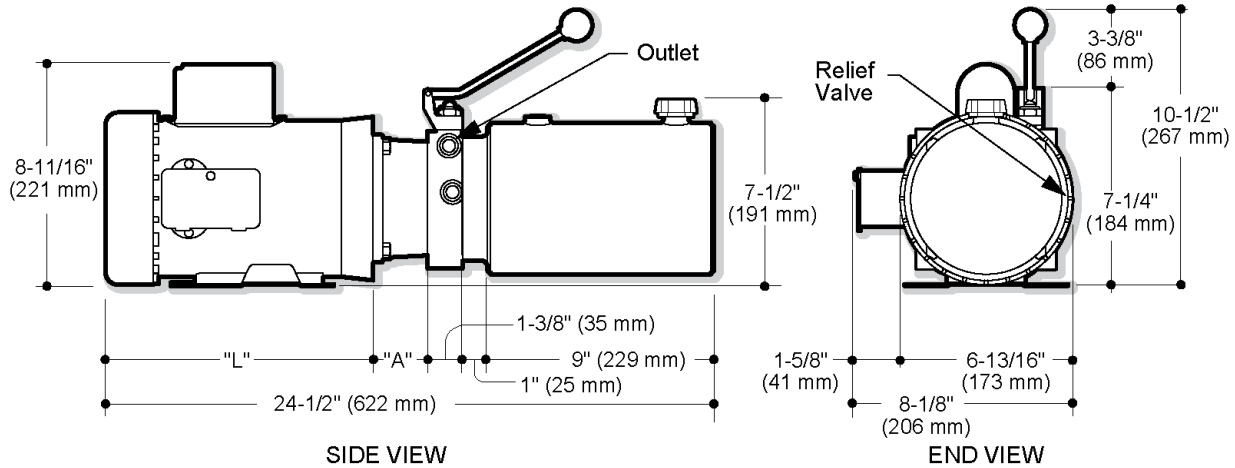
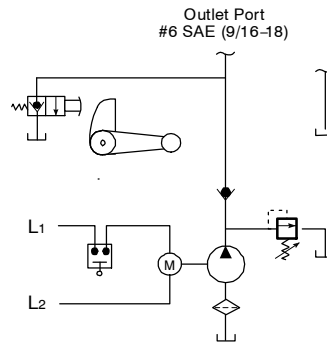


## 3.6 Model M-4509

### Description

- Pump / Motor / Reservoir / Valve Unit
- 3-Way Manually Operated Valve
- Externally Adjustable Relief Valve
- #6 SAE
- Vertical Mounting Standard (Motor Up)
- Snap Action Push Button Start Switch in Motor
- Kill Switch in Motor (Optional)
- Cord and Plug from Motor (Optional)

### Schematic



"L" dimension shown for 08751 motor is 10-11/16" (271 mm)  
 "A" dimension for standard 01605 adapter is 2-5/32" (55 mm)  
 "A" dimension for optional 01615 adapter is 3-11/32" (85 mm)  
 Dimensions will vary according to motor output and manufacturer

### How to Order Your M-4509 Power System

Comprehensive information may be found on the page referenced below each selection category.

Pump	Motor	Adapter	Reservoir (Length)	Mounting Position	Accessories
Ref. Page 9	Ref. Page 10	Ref. Page 11	Ref. Page 13		Ref. Page 20